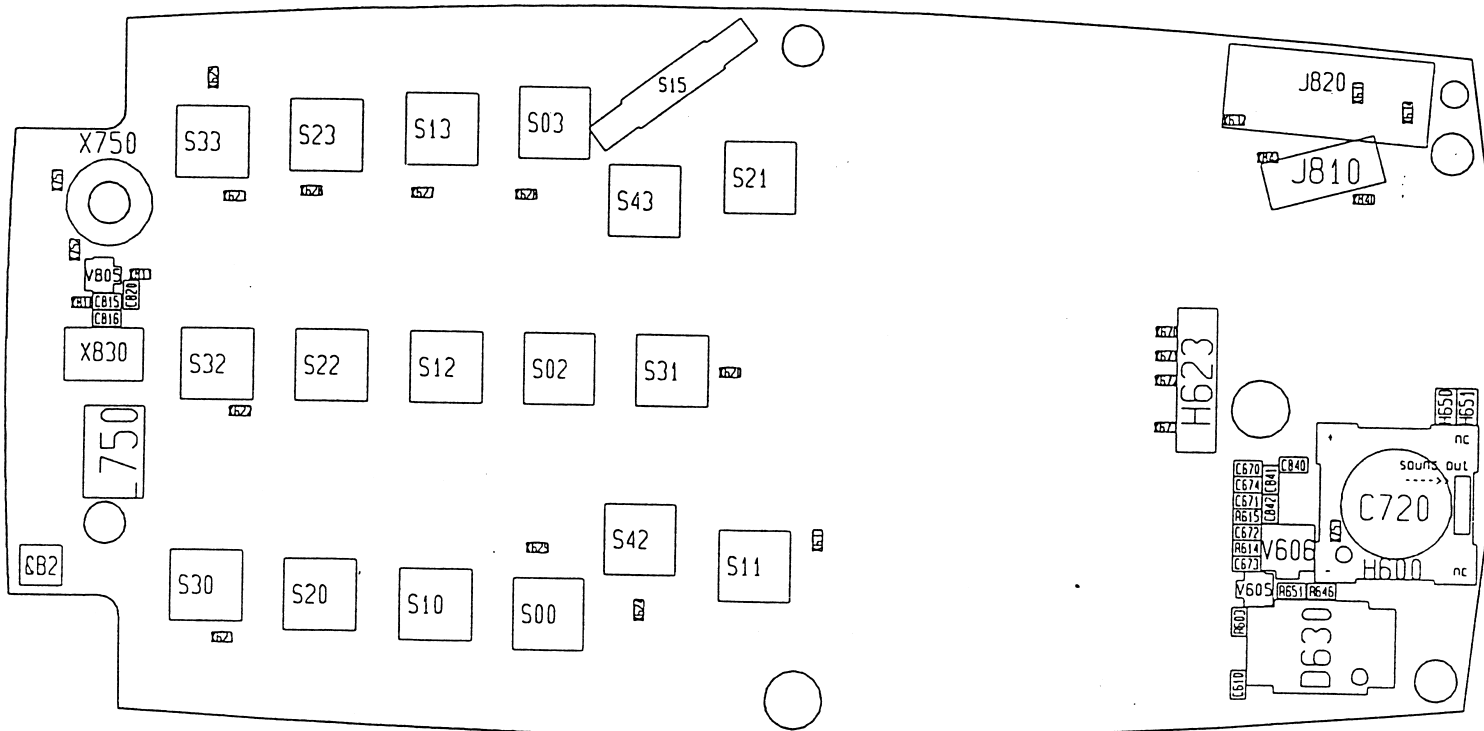



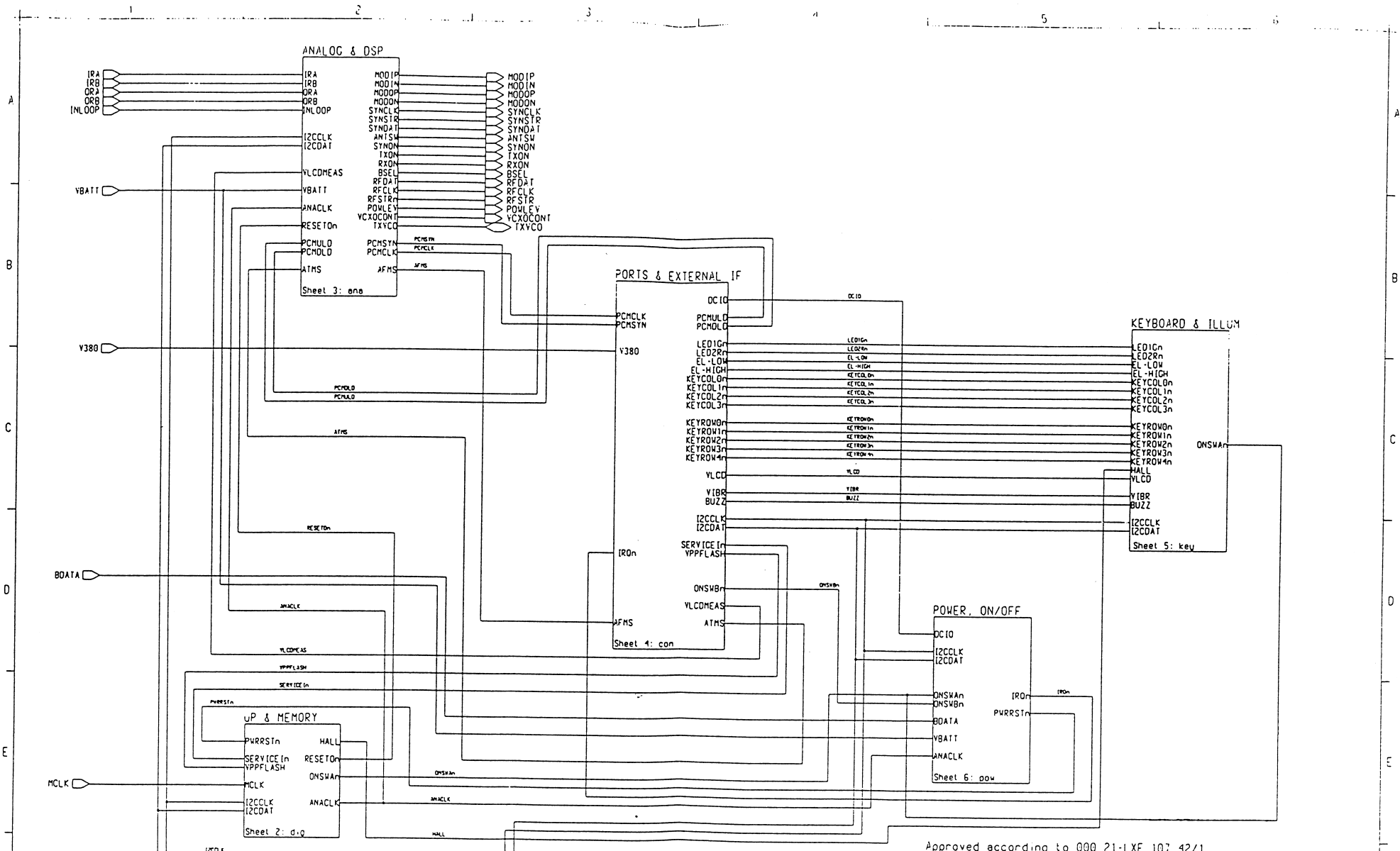
Primary side of Marianne!

ERICSSON		Uppgjord (även fakturerings- och annan) - Prepared (also subject responsible if other)	
Referenser - References		IB/DD ECSUKAR	
		Dokument/Codex - Doc respons/Approved	
		LD/ECS/IB/DDC	
		Produktbenämning - Product name	
		Datum - Date	
		1998-01-05	
		Rev	
		2A1	
Printed Circuit Board			
Illustration No. _____			



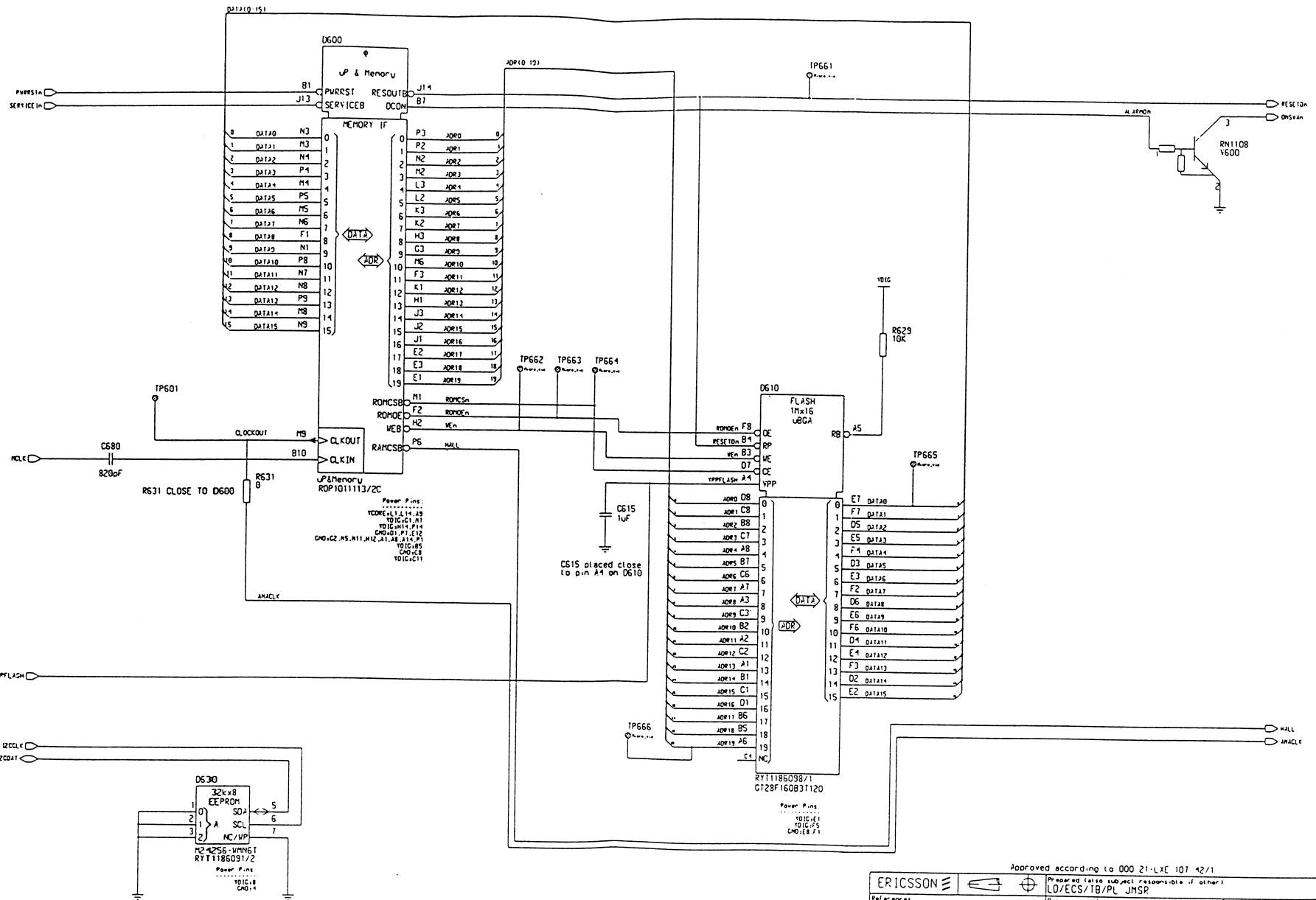
ERICSSON 		Udgjort (även iaktansvarig om annan) - Prepared (also subject responsible if other)	
18/DD ECSUKAR		18/DD ECSUKAR	
Referenser - References		Dokansv/Godk - Doc respons/approved	Datum - Date Rev
		LD/ECS/18/DDC	1998-01-08 PA1
Produktbenämning - Product name			
Printed Circuit Board			
Dokument - Document No		3.02 SHEET	

Secondary side of Mariannel



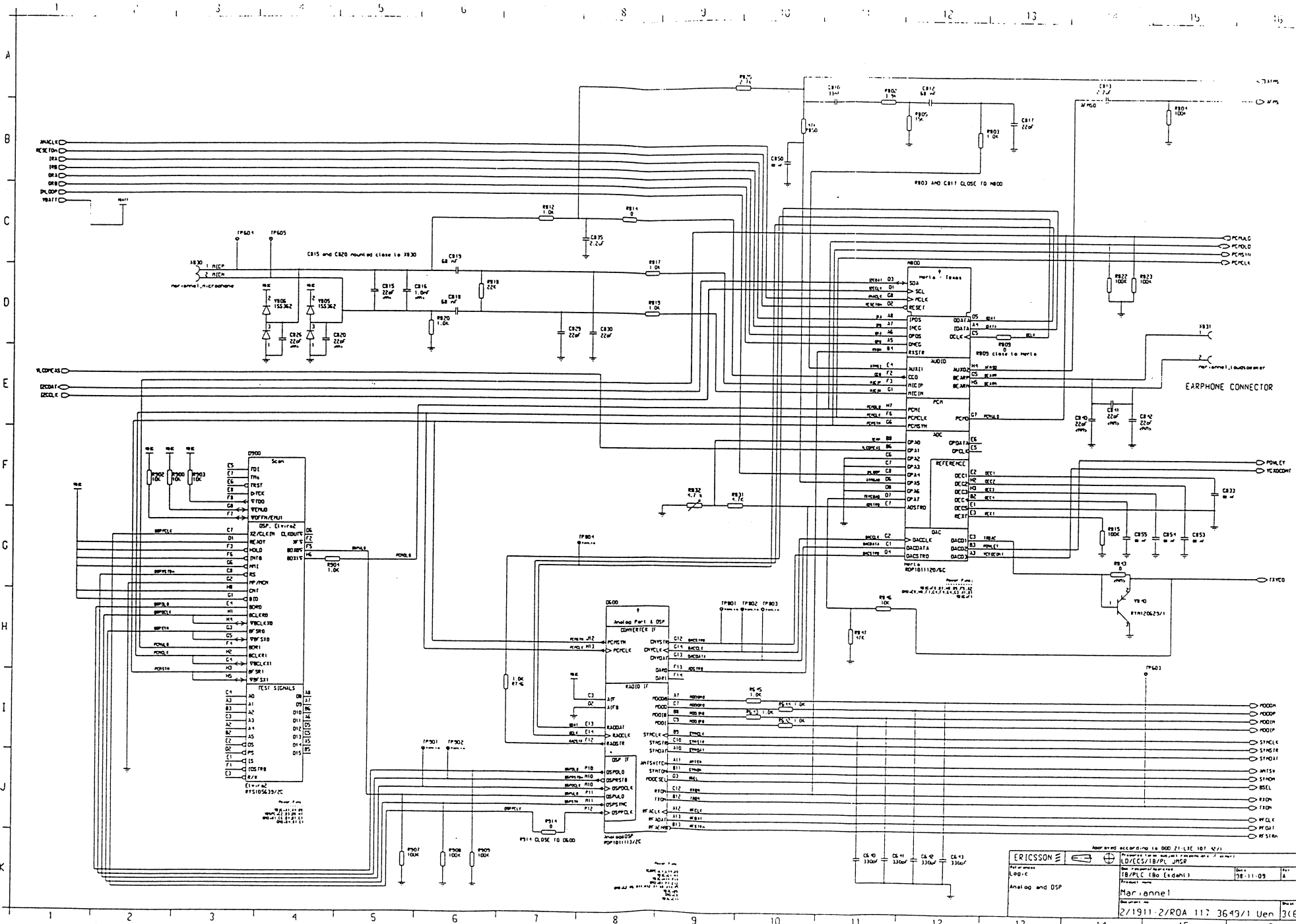
Approved according to 000 21-LXE 107 42/1

ERICSSON		Prepared (also subject responsible if other) LD/ECS/TB/PL Mats Larsson	
References Log.c	Doc respons/Approved TB/PLC (Bo Ekdahl)	Date 98-11-09	Rev A
Block Schematic		Product name Marianne1	
Document no 2/1911-2/ROA 117 3649/1 Uen		Sheet 1(6)	



Approved according to 000 21-LXC 107 42/1

ERICSSON References: Log/c UP & Memory	Doc respons/Approved TB/PLC (Bo Ekdeht)	Date 98-11-09	Rev A
	Product name Marianne1		
	Document no 2/1911-2/ROA 117 3649/1 Uen		
	Sheet 2(6)		



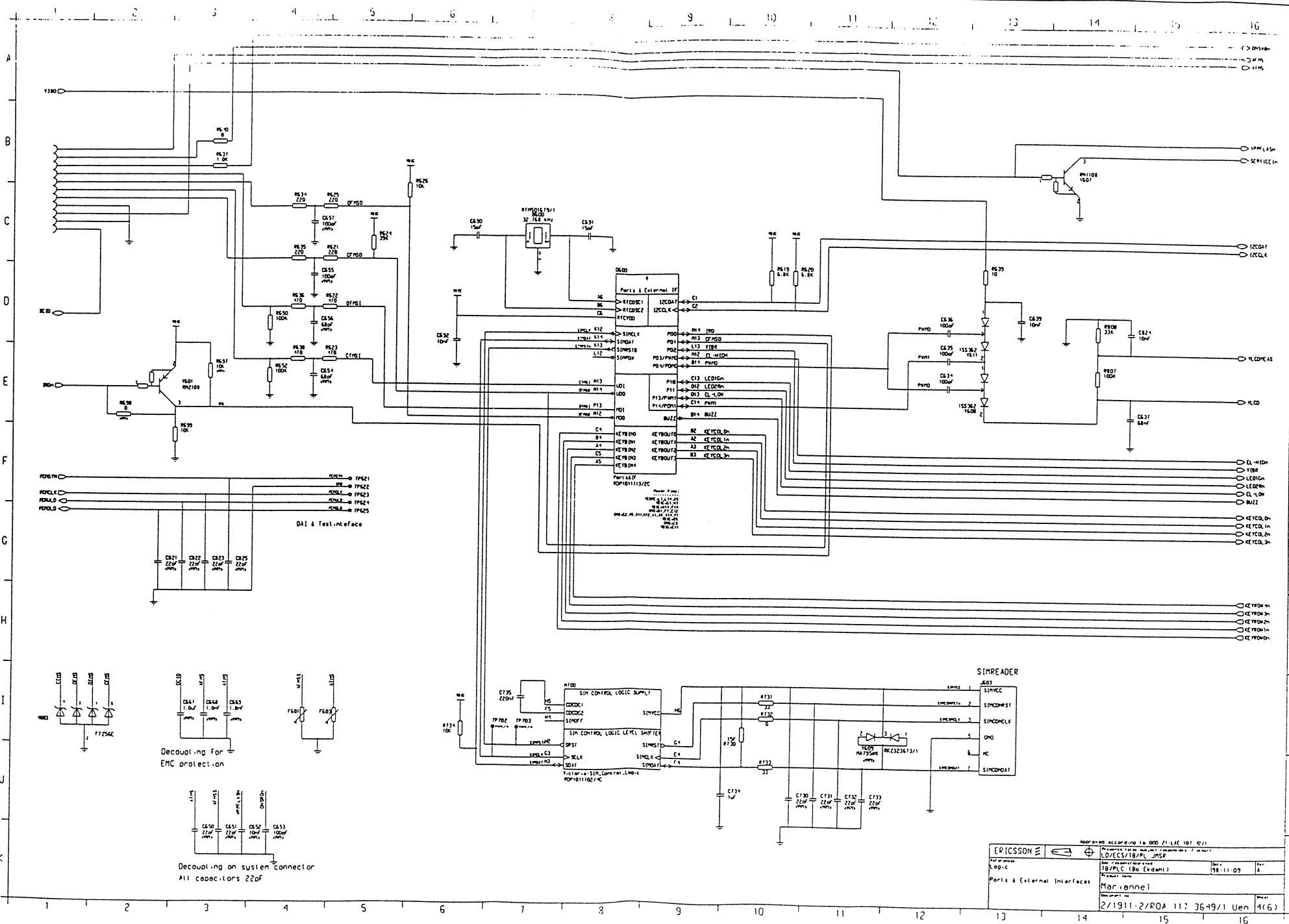
ERICSSON

Analog and DSP

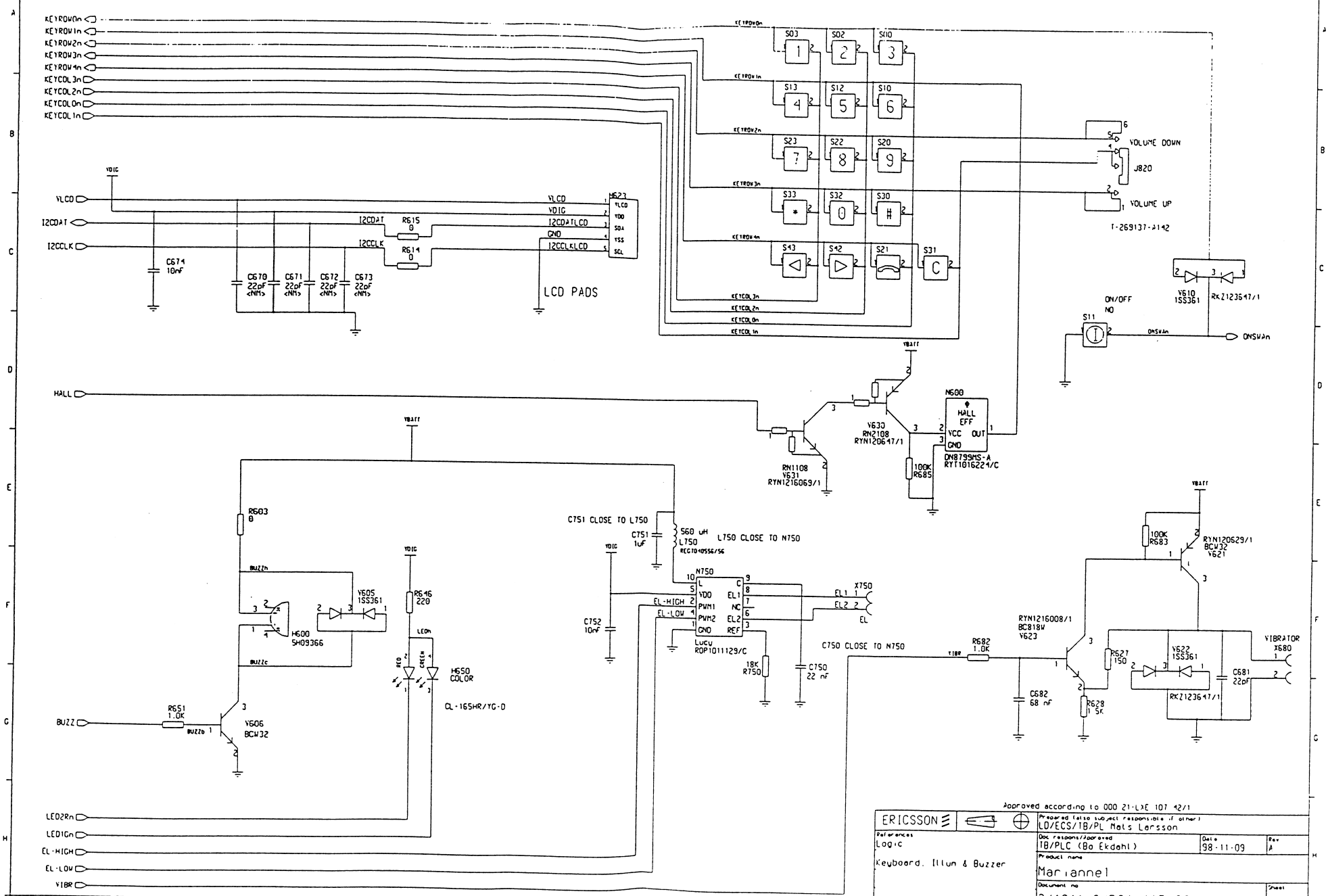
2/1911-2/ROA 11: 3649/1 Uen 3(6)

Date: 78-11-09

Marc'annel

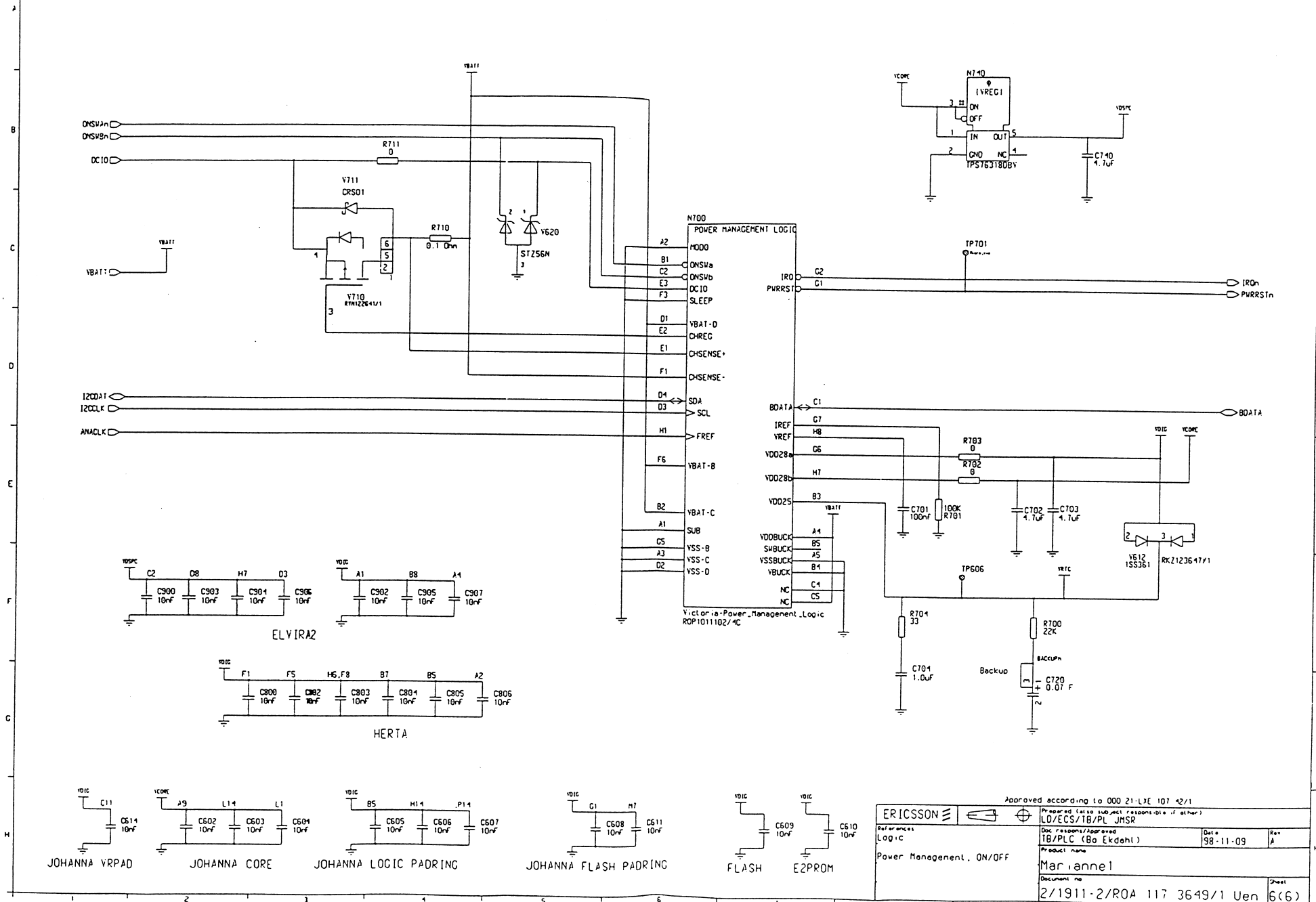


ERICSSON		Approved according to 000 21146 101 0/1	
Part number	800-C	Doc. number	LD/EC5/18/PL JMSR
Part name	LD/PL/C 180 External	Date	198-11-09
Part & External Interfaces	Marionnel	Author	JA
	2/1911-2/ROA 117 3649/1 Uen		



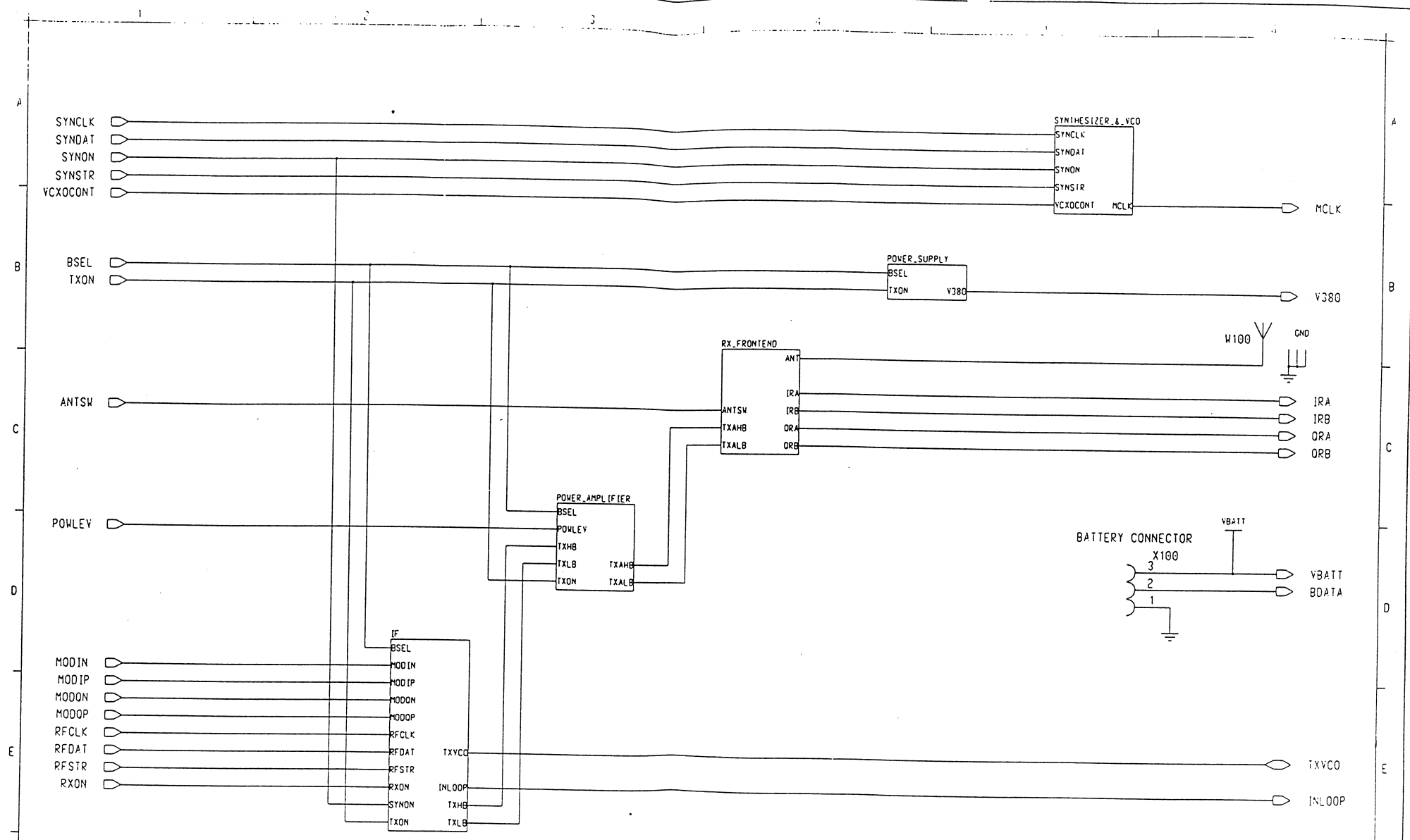
Approved according to 000 21-LXE 107 42/1

ERICSSON		Product name	
References	Log-c	Doc ref/notes/approves	Date
Keyboard, Illun & Buzzer		1B/PLC (Ba Ekdahl)	98-11-09
Document no		Sheet	
2/1911-2/ROA 117 3649/1 Uen		5(6)	



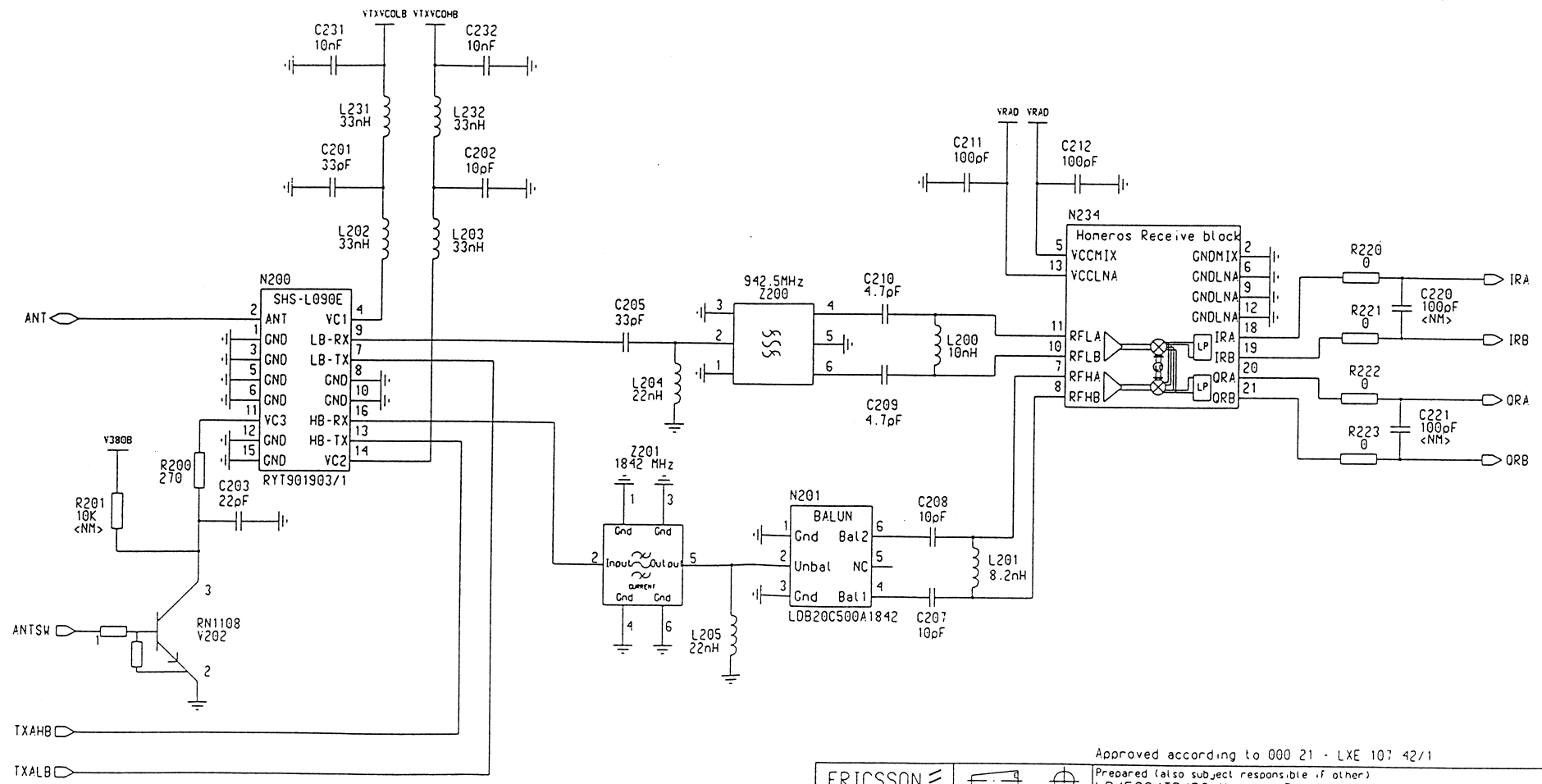
Approved according to 000 21-LJE 107 42/1

ERICSSON References: Logic Power Management, ON/OFF	Prepared (also subject reasons, etc. if other) LO/ECS/IB/PL JMSR	Doc reasons/Approved IB/PLC (Bo Ekdahl)	Date 98-11-09	Rev A
	Product name Mar'annel		Document no 2/1911-2/ROA 117 3649/1 Uen	
				Sheet 6(6)



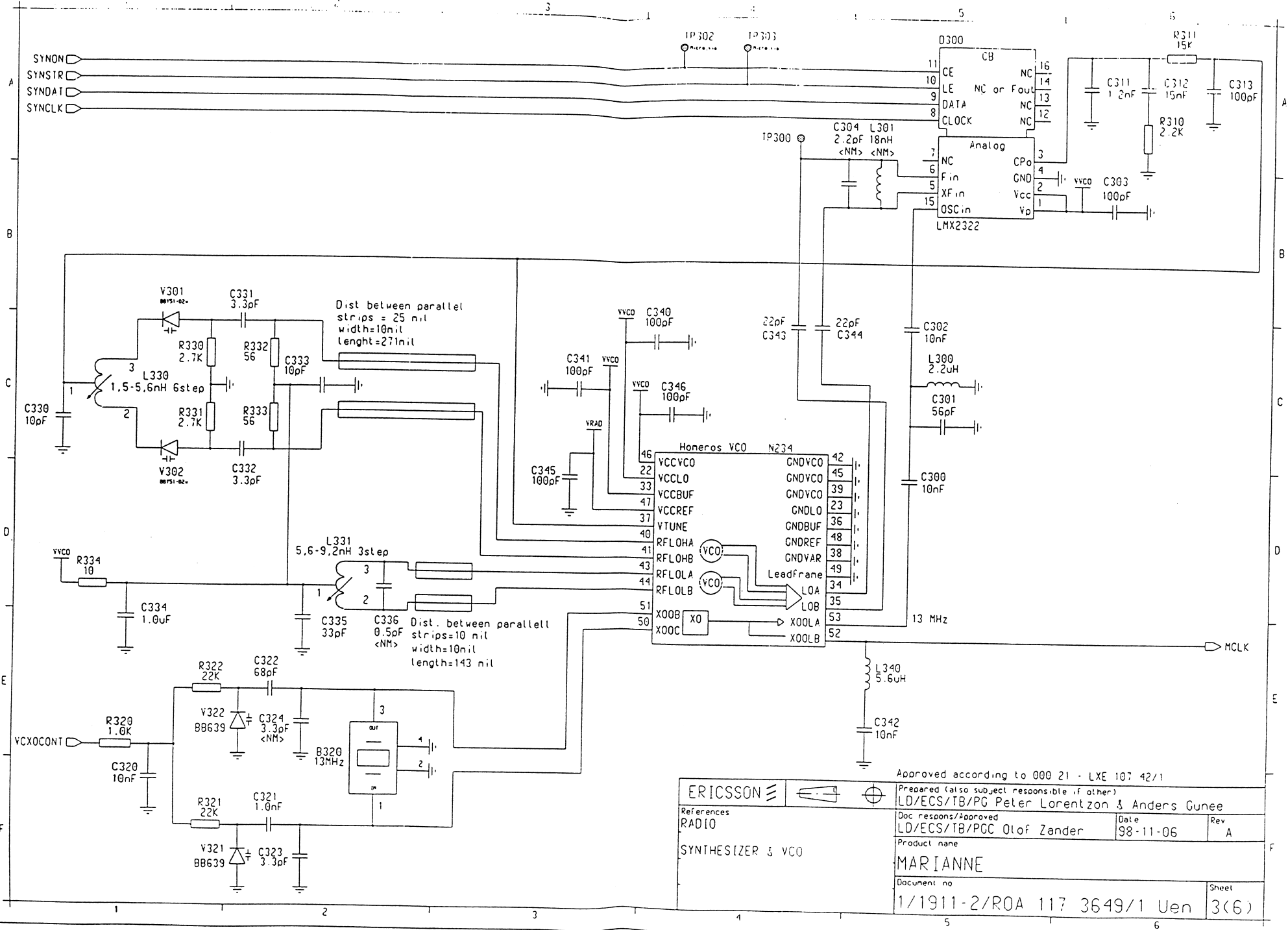
ERICSSON				Approved according to 000 21 - LXE 107 42/1	
Prepared (also subject responsible, if other)				LD/ECS/TB/PG Mathias Belin	
References	Doc respons/Approved	Date	Rev		
RADIO	LD/ECS/TB/PGC Olaf Zander	98-11-06	A		
BLOCK SCHEMATIC				Product name	
				MARIANNE	
Document no				Sheet	
1/1911-2/ROA 117 3649/1 Uen				1(6)	

A
B
C
D
E
F



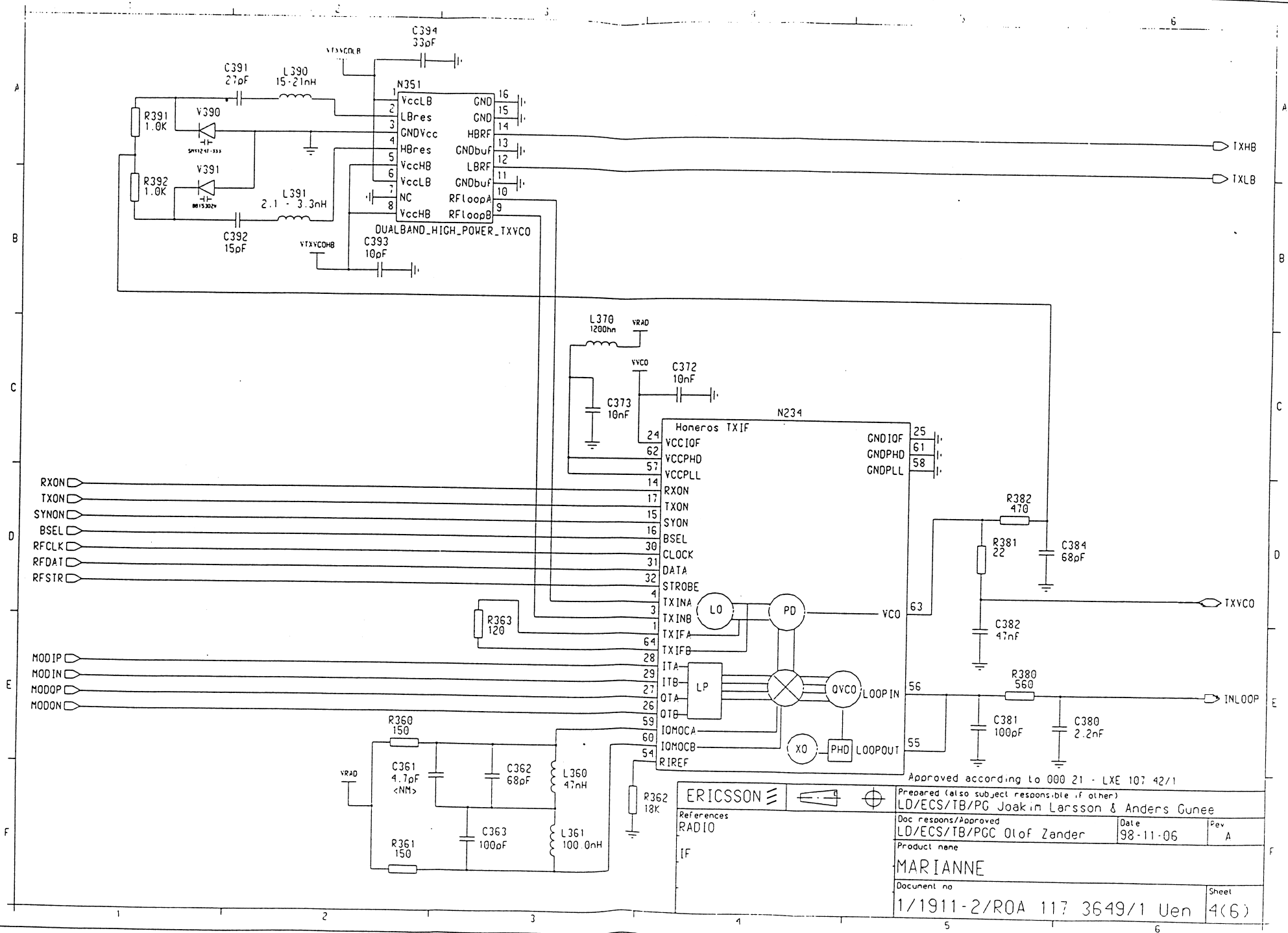
Approved according to 000 21 - LXE 107 42/1

ERICSSON <small>References</small> RADIO RX FRONTEND	Prepared (also subject responsible if other) LD/ECS/TB/PG Martin Pranheden & Ulrik Inberg		
	<small>Doc respons/Approved</small> LD/ECS/TB/PGC Olof Zander	<small>Date</small> 98-11-06	<small>Rev</small> A
<small>Product name</small> MARIANNE			
<small>Document no</small> 1/1911-2/ROA 117 3649/1 Uen		<small>Sheet</small> 2(6)	



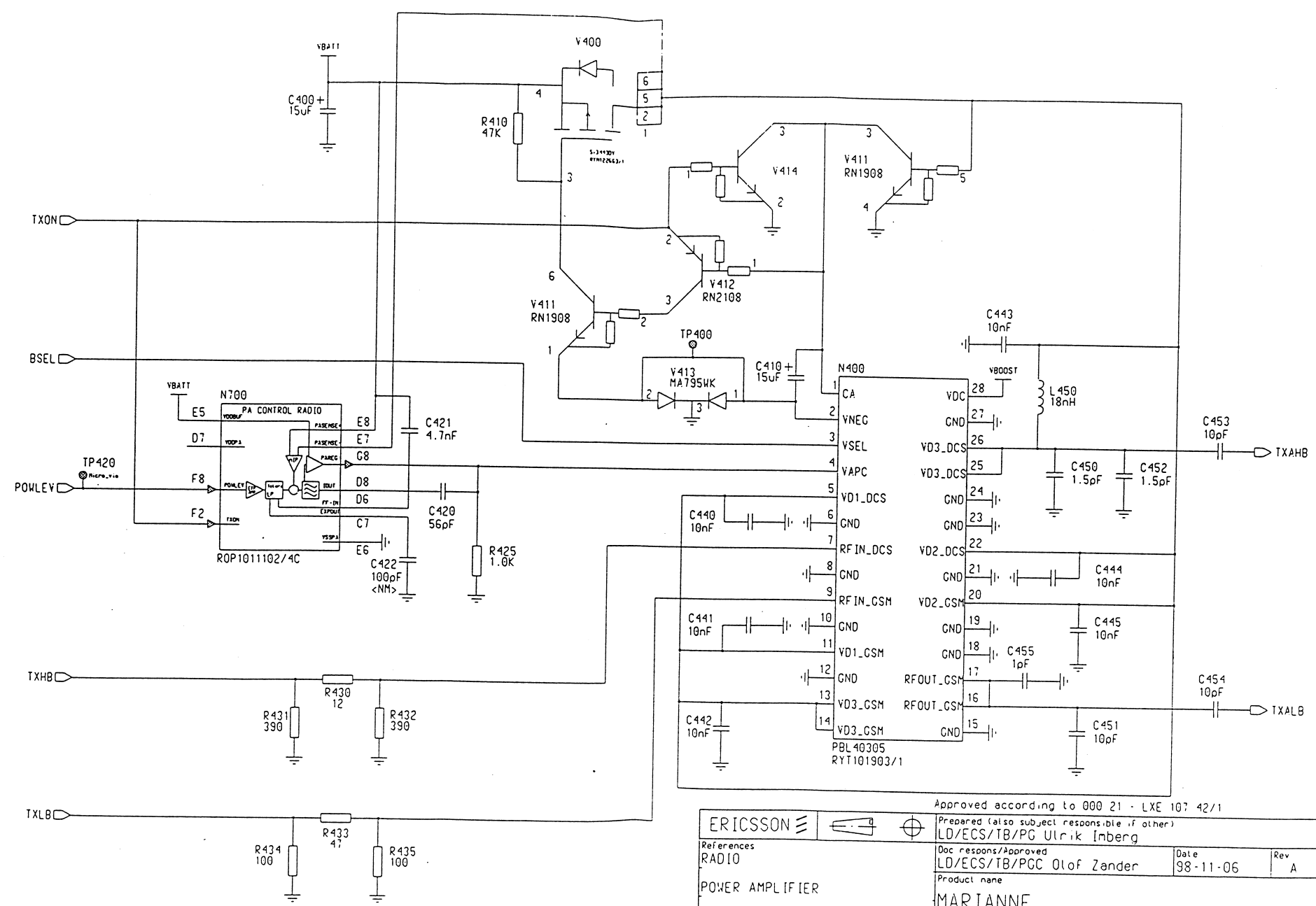
Approved according to 000 21 - LXE 107 42/1

ERICSSON		Prepared (also subject responsible if other) LD/ECS/TB/PG Peter Lorentzon & Anders Guee	
References RADIO	Doc respons./approved LD/ECS/TB/PCC Olaf Zander	Date 98-11-06	Rev A
SYNTHESIZER & VCO		Product name MARIANNE	
Document no 1/1911-2/ROA 117 3649/1 Uen		Sheet 3(6)	



		Approved according to 000 21 - LXE 107 42/1	
		Prepared (also subject responsible if other) LD/ECS/TB/PG Joakim Larsson & Anders Gunee	
References RADIO	Doc respons/Approved LD/ECS/TB/PGC Olaf Zander	Date 98-11-06	Rev A
Product name MARIANNE			
Document no 1/1911-2/ROA 117 3649/1 Uen		Sheet 4(6)	

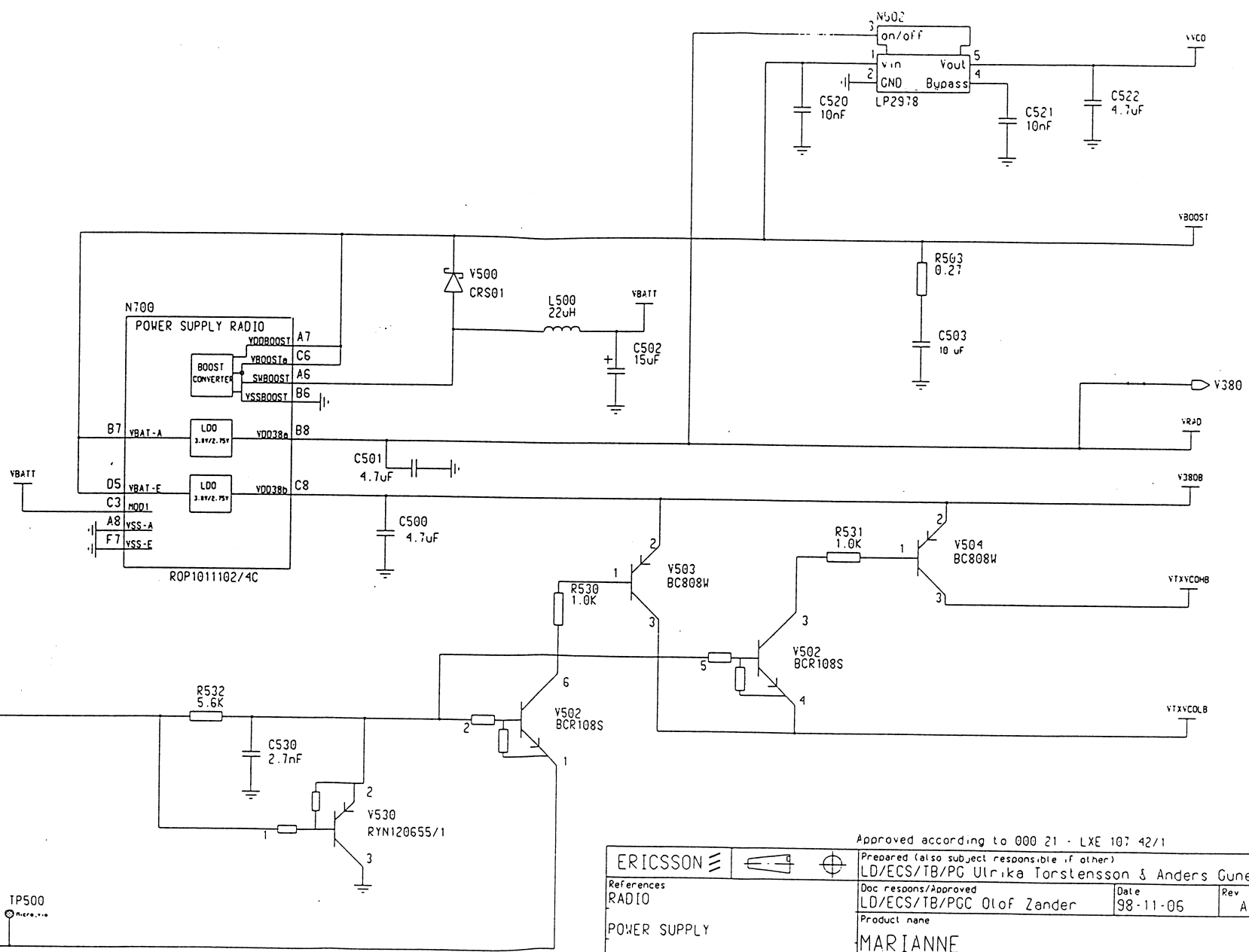
A
B
C
D
E
F



Approved according to 000 21 - LXE 107 42/1

ERICSSON		Prepared (also subject responsible if other) LD/ECS/TB/PG Ulrik Imberg	
References RADIO	Doc respons/Approved LD/ECS/TB/PG Olof Zander	Date 98-11-06	Rev A
Product name MARIANNE			
Document no 1/1911-2/ROA 117 3649/1 Uen			Sheet 5(6)

A
B
C
D
E
F



Approved according to 000 21 - LXE 107 42/1

		Prepared (also subject responsible if other) LD/ECS/TB/PG Utrika Torstensson & Anders Gunee	
References	Doc respons/Approved	Date	Rev
RADIO	LD/ECS/TB/PGC 01 of Zander	98-11-06	A
POWER SUPPLY		Product name	
		MARIANNE	
		Document no	
		1/1911-2/ROA 117 3649/1 Uen	
		Sheet	
		6(6)	